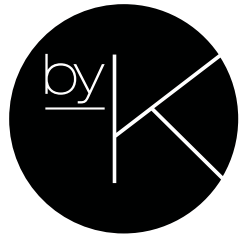


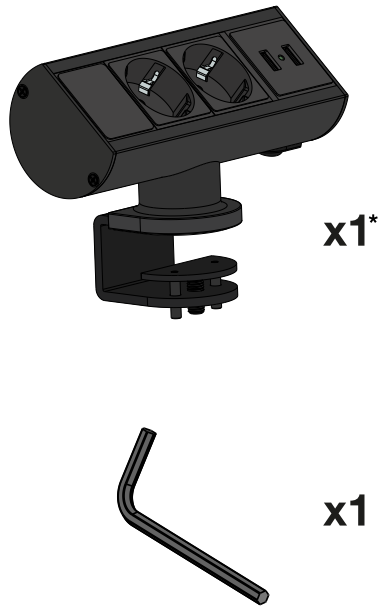
Axessline Desk

■ 935-D2UC
 ■ 935-D2UC-FN
 ■ 935-D2UC-UK

■ 935-D2UCA



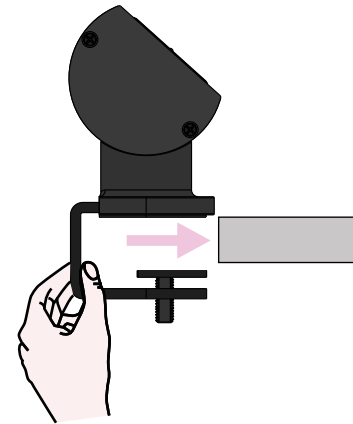
CONTENT:



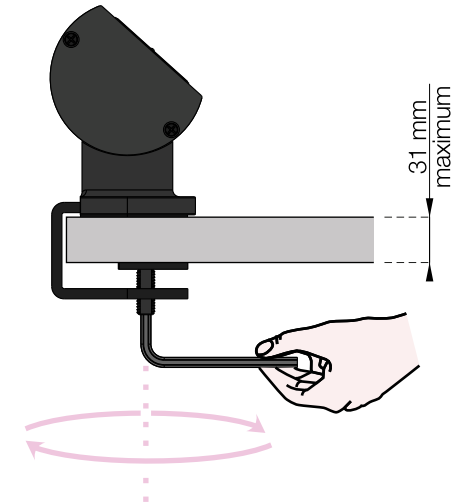
1 LOOSEN CLAMP
 Use 4 mm Allen key to loosen the hexagon cup point screw. Turn counter-clockwise to loosen.



2 POSITION TO EDGE OF TABLE
 Position the clamp so that the edge of the table top touches the edge of the clamp.



3 FASTEN CLAMP
 Use 4 mm Allen key to tighten the hexagon cup point screw. Turn clockwise to tighten and ascertain that the product does not move if pushed or pulled.



- 2 **USB-Charger ports**
 (5V, 2.4A)

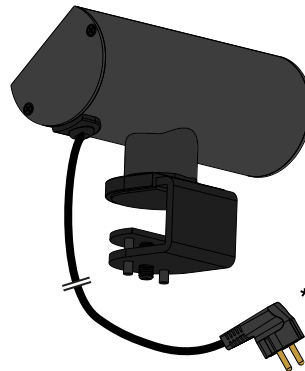
- 2 **Power sockets***

- 1 **Power chord***

* **Type F** for 935-D2UC
 935-D2UCA

Type E for 935-D2UC-FN

Type G for 935-D2UC-UK



4 PLUG IT IN
 Plug the power chord into the intended power socket to finalize the installation.

